

TS-913A 射出膠邊成型機 (含TS-913A-1、TS-913A-2、TS-913A-3)
CALENDER TYPE FOXING MACHINE WITH COLOR EXTRUDER
(INCLUDING TS-913A-1, TS-913A-2 & TS-913A-3)



TS-913A-2

射出型冷卻上粉全自動精密裁斷機
 (兩個冷卻輪、一個冷水桶、一個粉桶、精密裁斷裝置)
 AUTO. CUTTING M/C WITH COLOR EXTRUDER
 (2 COOLING DRUMS, 1 WATER TANK, POWDERING
 SYSTEM, PRECISE CUTTING DEVICE)



TS-913A-1

射出壓花邊條機 (Ø4" x 14"L)
 EMBOSSEING MACHINE WITH
 COLOR EXTRUDER (Ø4" x 14"L)



TS-913A-3

色條押出機
 COLOR EXTRUDER

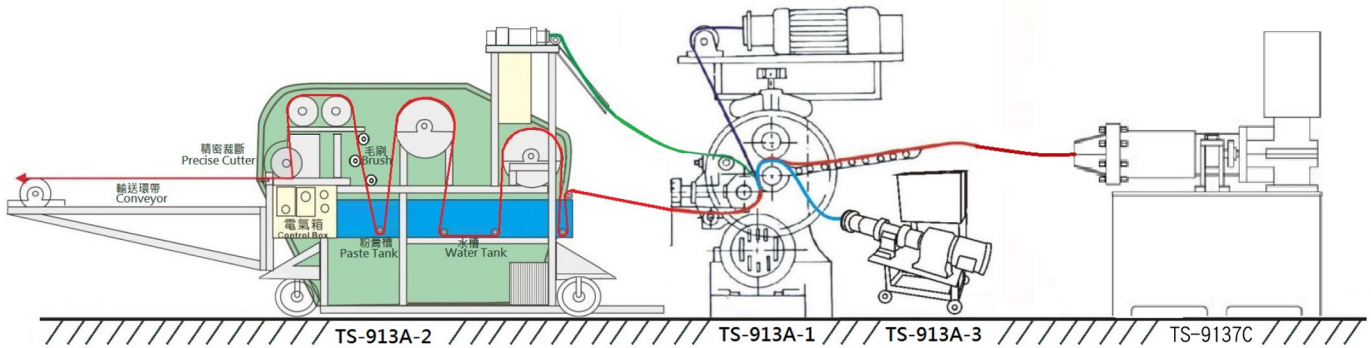


TS-9137C

T型模直結式橡膠押出機
 T-MOLD RUBBER EXTRUDER

操作流程說明

FLOW CHART INSTRUCTION



Item / Model 項目 / 機型	TS-913A-2	TS-913A-1	TS-913A-3
Diameter 規格	Cooling roller 冷卻筒 ϕ 9 1/2"	Pattern roller 花輪 ϕ 4"	
Length 長度	Cooling roller 冷卻筒 L21"	Pattern roller length 花輪長度 14"	
Horse power 馬力	5 1/2 HP	8 HP	3 HP
N.W./G.W. 淨重 / 毛重	1650 kgs / 1870 kgs	1200 kgs / 1400 kgs	200 kgs / 230 kgs
Shipping size (L x W x H) 包裝尺寸	335 x 135 x 210 cm	160 x 130 x 190 cm	141 x 60 x 115 cm

Mold Temp. Model 模溫機型號	WTC-9	Model 機型	TS-9137C
Number of Requirement 機台需求數量	2	Screw Size 螺桿尺寸	ϕ 125 m/m
Max. Temp. 最高溫度	120C	Frequency Converter 變頻器	40 HP
Heater Capacity 電能熱量	9 KW	Total Power Consumption 總耗電量	30 HP
Machine Size 機械尺寸	31 x 73 x 60 cm	The Width of Output 出料寬度	L: 220mm x T: 10mm
Net Weight 淨重	73 kgs	Shipping Size 包裝尺寸	215 x 130 x 185 (cm)

本機特色:

1. 可做單色、雙色、三色邊條。
2. 可做大底、包頭、擋牆。
3. 含TS-913A-3 可不做吐白邊條。
4. 本套機械產量大，花紋明顯美觀。
5. 本套機械若與TS-9137C 橡膠押出機同時使用，可消除橡膠出片之氣泡，提升良率。
6. 本套機械可加裝 9KW 模溫機兩台來精確、穩定控制機械溫度，提高產品質量，並簡化操作程序。
7. 本機TS-913A-2附精密裁斷裝置，橡膠片長度精準。

FEATURES:

1. It is able to make 1, 2, or 3 color foxing.
2. It is able to make outsole, toe cap & bumper welts.
3. Including TS-913A-3 extruder, which makes foxing without white edges.
4. This set of machine has large capacity and can make sharp and beautiful embossing patterns.
5. If TS-9137C is adopted, it removes bubbles from rubber sheets to increase production efficiency & to reduce loss.
6. Water type mold temp controller (9KW x 2 sets) can be installed for precise and stable machine temp. to increase product quality and to simplify operation.
7. This machine's TS-913A-2 is equipped with precise cutting device to control precise length cutting.